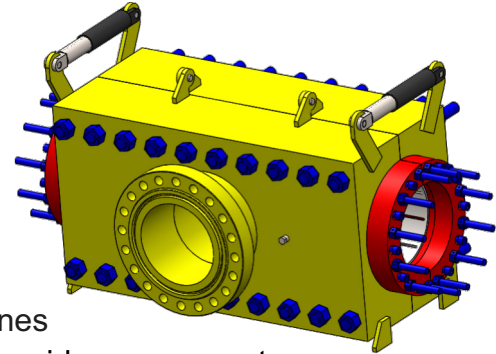


Titan IntegriTee™ Tap Fitting

Product Description:

The Titan IntegriTee™ Tap Fitting is a split, mechanical hot tap fitting which provides the means to hot tap existing subsea pipelines without having to shut down the pipeline. The IntegriTee™ Tap provides permanent sealing integrity and adds structural reinforcement for the design life of the pipeline.



Design Features and Benefits:

- **Collet Gripping System** – The IntegriTee™ Tap relies on a series of hardened steel collet fingers to structurally lock the fitting on the pipeline. These collets are pinned to the inner body of the fitting so that they cannot be dislodged during the installation process. The collet grips are fully reversible and will remain attached even if the fitting is reopened after its installation.
- **Full Pressure End Load (Full PEL) Structural Reinforcement** – Every IntegriTee™ Tap fitting is tested to full ANSI test pressure using two independent pipe pups which are restrained solely by the gripping strength of the collets. The gripping system is designed to withstand all normal operating tension and rotational loads, including pressure end load.
- **Reduced Pressure Boundary** – The “inboard” circumferential seals of the IntegriTee™ Tap are located near the center of the body, greatly reducing the pressure-containing area of the device. Since the separation load imparted from within the fitting is a direct function of internal pressure multiplied by the cross-sectional area of the containment area ($F = PA$), any reduction in the area between the seals greatly enhances the sealing integrity of the product.
- **Reduced Longitudinal Seal Length** – By placing the circumferential seals inboard of the collet grips, the IntegriTee™ Tap design requires a much shorter longitudinal seal. The juncture of the longitudinal seal with the circumferential seals is located towards the rigid center of the fitting, a position which yields optimal seal performance.
- **Standard Viton Seals**

Titan Subsea Innovations, LLC invites you to [contact](#) us for your next subsea pipeline project, and experience the professionalism, knowledge, and dedication that exemplifies the Titan team.